

PREDATOR™ PREMIUM CARTON SEALING TAPES

TRY NEW PREDATOR CARTON SEALING TAPES!

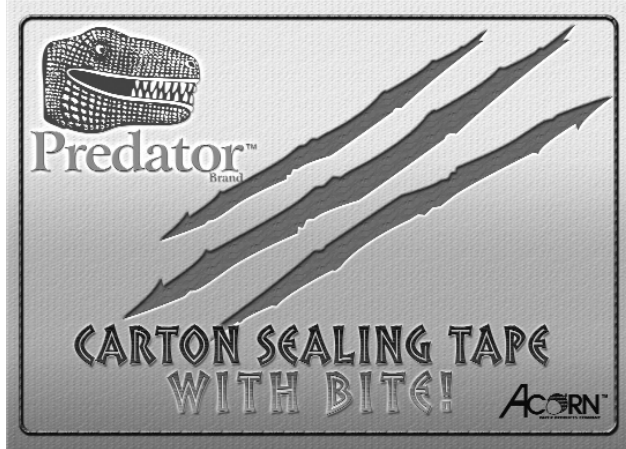


Acorn Paper Products has added Predator Carton Sealing Tapes to its growing line of other Predator brand products.

Predator brand products are exclusively distributed by Acorn Paper Products, and they represent a high level of performance combined with a strong value. Ask your Acorn representative about other Predator brand products.

Ask for a sample of Predator brand tape today, and see why it combines the quality and performance of well known brands with an aggressive sticking power.

Look for the dinosaur!



ITEM NO.	ADHESIVE TYPE	WIDTH	LENGTH	WIDTH	LENGTH	COLOR	ROLLS PER CASE	CASES PER PALLET
3102110117	ACRYLIC	48MM	100M	2"	110 YD.	CLEAR	36	45
3112110119	HOTMELT RUBBER	48MM	100M	2"	110 YD.	CLEAR	36	90
312211012	NATURAL RUBBER	48MM	100M	2"	110 YD.	CLEAR	36	45

Predator Tapes are now available in Acrylic, Hotmelt Rubber, and Natural Rubber Adhesives for any situation.

CARTON SEALING TAPES - PRESSURE SENSITIVE

The following section contains just some of the Pressure Sensitive Carton Sealing Tapes offered by Acorn Paper Products. Both hand applied and machine applied rolls are available, together with methods to apply tape from hand dispensers to machinery. Please ask for sizes not listed.

Pressure Sensitive Box Sealing Tapes are listed by adhesive type, with the 3 most common adhesive types being Acrylic, Hotmelt Rubber, and Natural Rubber Based Adhesive. The benefits of

each adhesive are also listed as a general guide, but we suggest you contact your Acorn Paper representative for more information about which tapes and adhesives are right for your application.

Note: The English tape measurements shown in parenthesis for Pressure Sensitive Carton Sealing Tape on the following pages are nominal measurements only. The actual Metric / English equivalents are as follows:

48mm x 50m	(1.88 inches x 54.6 yards)
48mm x 100m	(1.88 inches x 109.3 yards)
72mm x 100m	(2.83 inches x 109.3 yards)
48mm x 914m	(1.88 inches x 999.5 yards)

TAPES

ACRYLIC ADHESIVE CARTON SEALING TAPES

WHY ACRYLIC ADHESIVE?

- Firm unwind
- Excellent aging and clarity (non yellowing)
- Excellent quick tack to box
- Wide temperature range
- Best for low temperature application - such as freezer
- Printable
- UV resistant



Predator
Brand

ACRYLIC EMULSION ADHESIVE HAND APPLIED ROLLS

ITEM NO.	ADHESIVE TYPE	WIDTH	LENGTH	WIDTH	LENGTH	COLOR	ROLLS PER CASE	CASES PER PALLET
3102110117	48MM	100M	2"	110 YD.		CLEAR	36	45



"the finest assortment of pressure sensitive tapes available in the market"



ACRYLIC-WATER EMULSION ADHESIVE HAND APPLIED ROLLS

ITEM NO.	MFG. NO.	WIDTH	LENGTH	WIDTH	LENGTH	THICKNESS	COLOR	ROLLS PER CASE	CASES PER PALLET
310255116	261	48MM	50M	2"	55 YD.	1.65 MILS	CLEAR	36	108
3102110116	261	48MM	100M	2"	110 YD.	1.65 MILS	CLEAR	36	90
3102110216	261	48MM	100M	2"	110 YD.	1.65 MILS	TAN	36	90
3103110116	261	72MM	100M	3"	110 YD.	1.65 MILS	CLEAR	24	90
3103110216	261	72MM	100M	3"	110 YD.	1.65 MILS	TAN	24	90
310255119	271	48MM	50M	2"	55 YD.	1.9 MILS	CLEAR	36	108
3102110119	271	48MM	50M	2"	110 YD.	1.9 MILS	CLEAR	36	90
3102110219	271	48MM	100M	2"	110 YD.	1.9 MILS	TAN	36	90
3103110119	271	72MM	100M	3"	110 YD.	1.9 MILS	CLEAR	24	90
3103110219	271	72MM	100M	3"	110 YD.	1.9 MILS	TAN	24	90
31025512	400	48MM	50M	2"	55 YD.	2.0 MILS	CLEAR	36	108
31025522	400	48MM	50M	2"	55 YD.	2.0 MILS	TAN	36	108
310211012	400	48MM	100M	2"	110 YD.	2.0 MILS	CLEAR	36	45
310211022	400	48MM	100M	2"	110 YD.	2.0 MILS	TAN	36	45
31035512	400	72MM	50M	3"	55 YD.	2.0 MILS	CLEAR	24	108
310311012	400	72MM	100M	3"	110 YD.	2.0 MILS	CLEAR	24	72
310311022	400	72MM	100M	3"	110 YD.	2.0 MILS	TAN	24	72
310260129	341	48MM	50M	2"	55 YD.	2.9 MILS	CLEAR	36	45
3103601	341	72MM	50M	3"	55 YD.	2.9 MILS	CLEAR	24	36

ACRYLIC ADHESIVE CARTON SEALING TAPES



**ACRYLIC-WATER EMULSION ADHESIVE
MACHINE APPLIED ROLLS**



TAPES

ITEM NO.	MFG. NO.	WIDTH	LENGTH	WIDTH	LENGTH	THICKNESS	COLOR	ROLLS PER CASE	CASES PER PALLET
31521000116	261	48MM	914M	2"	1000 YD.	1.65 MILS	CLEAR	6	48
31531000116	261	72MM	914M	3"	1000 YD.	1.65 MILS	CLEAR	4	48
315210001	300	48MM	914M	2"	1000 YD.	1.7 MILS	CLEAR	6	48
31521000119	271	48MM	914M	2"	1000 YD.	1.9 MILS	CLEAR	6	48
31502150019	271	48MM	1371M	2"	1500 YD.	1.9 MILS	CLEAR	6	48
3152100012	400	48MM	914M	2"	1000 YD.	2.0 MILS	CLEAR	6	48



Shurtape®

**ACRYLIC-SOLVENT ADHESIVE
HAND APPLIED ROLLS**

ITEM NO.	MFG. NO.	WIDTH	LENGTH	WIDTH	LENGTH	THICKNESS	COLOR	ROLLS PER CASE	CASES PER PALLET
3102110221	PP 803	48MM	100M	2"	110 YD.	2.2 MILS	CLEAR	36	60
310255126	PP 815	48MM	100M	2"	110 YD.	2.6 MILS	CLEAR	36	45

**ACRYLIC-PRINTED/WARNING TAPE
HAND APPLIED ROLLS**

ITEM NO.	MFG. NO.	WIDTH	LENGTH	WIDTH	LENGTH	THICKNESS	COLOR	ROLLS PER CASE	CASES PER PALLET
"STOP IF SEAL IS BROKEN"									
3212110119	321ST	48MM	100M	2"	110 YD.	1.9 MILS	CLEAR	36	90
"CAUTION IF SEAL IS BROKEN"									
3213110119	321SP	72MM	100M	3"	110 YD.	1.9 MILS	CLEAR	24	52
"CAUTION (STOP) IF SEAL IS BROKEN PLEASE CHECK CONTENTS"									
3212110319	321	48MM	100M	2"	110 YD.	1.9 MILS	WHITE	36	90

TAPES

HOTMELT (SYNTHETIC RUBBER) ADHESIVE CARTON SEALING TAPES

WHY HOTMELT ADHESIVE?

- Strong tack
- High bonding
- Good aging
- Consistent unwind - good for machine application
- Moisture Insensitive



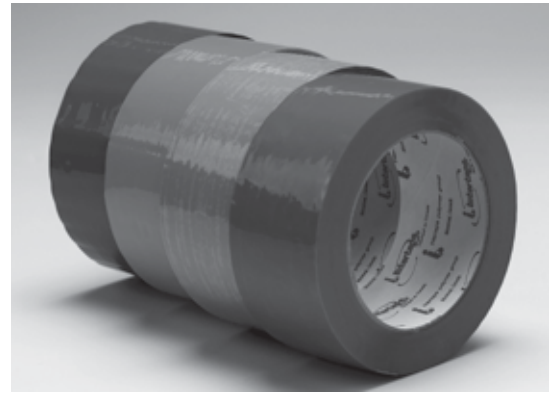
Predator
Brand

HOTMELT SYNTHETIC RUBBER ADHESIVE HAND APPLIED ROLLS

ITEM NO.	WIDTH	LENGTH	WIDTH	LENGTH	COLOR	ROLLS PER CASE	CASES PER PALLET
3112110119	48MM	100M	2"	110 YD.	CLEAR	36	90



HOTMELT SYNTHETIC RUBBER HAND APPLIED ROLLS



ITEM NO.	MFG. NO.	WIDTH	LENGTH	WIDTH	LENGTH	THICKNESS	COLOR	ROLLS PER CASE	CASES PER PALLET
311205516	6100	48MM	50M	2"	55 YD.	1.6 MILS	CLEAR	36	108
3112110116	6100	48MM	100M	2"	110 YD.	1.6 MILS	CLEAR	36	90
3112110216	6100	48MM	100M	2"	110 YD.	1.6 MILS	TAN	36	90
3113110116	6100	72MM	100M	3"	110 YD.	1.6 MILS	CLEAR	24	90
3113110161	6100	72MM	100M	3"	110 YD.	1.6 MILS	TAN	24	90
31415100119	7100	36MM	100M	1-1/2"	110 YD.	1.85 MILS	CLEAR	48	90
31125512	7100	48MM	50M	2"	55 YD.	1.85 MILS	CLEAR	36	108
3112110121	7100	48MM	100M	2"	110 YD.	1.85 MILS	CLEAR	36	90
31121101192	7100	48MM	100M	2"	110 YD.	1.85 MILS	TAN	36	90
311311012	7100	72MM	100M	3"	110 YD.	1.85 MILS	CLEAR	24	90
3113110121	7100	72MM	100M	3"	110 YD.	1.85 MILS	TAN	24	90
311211022	8100	48MM	100M	2"	110 YD.	2.2 MILS	CLEAR	36	108
311311022	8100	72MM	100M	3"	110 YD.	2.2 MILS	CLEAR	24	90
31125525	9100	48MM	50M	2"	55 YD.	2.5 MILS	CLEAR	36	90
31135525	9100	72MM	50M	3"	55 YD.	2.5 MILS	CLEAR	24	90

HOTMELT (SYNTHETIC RUBBER) ADHESIVE CARTON SEALING TAPES



HOTMELT SYNTHETIC RUBBER MACHINE APPLIED ROLLS

ITEM NO.	MFG. NO.	WIDTH	LENGTH	WIDTH	LENGTH	THICKNESS	COLOR	ROLLS PER CASE	CASES PER PALLET
31421000116	6100	48MM	914M	2"	1000 YD.	1.6 MILS	CLEAR	6	48
31431000116	6100	72MM	914M	3"	1000 YD.	1.6 MILS	CLEAR	4	48
31421000119	7100	48MM	914M	2"	1000 YD.	1.85 MILS	CLEAR	6	48
3142150012	7100	48MM	1371M	2"	1500 YD.	1.85 MILS	CLEAR	6	48



HOTMELT SYNTHETIC RUBBER HAND APPLIED ROLLS

ITEM NO.	MFG. NO.	WIDTH	LENGTH	WIDTH	LENGTH	THICKNESS	COLOR	ROLLS PER CASE	CASES PER PALLET
31121101161	HP-100	48MM	100M	2"	110 YD.	1.6 MILS	CLEAR	36	60
3112110162	HP-100	48MM	100M	2"	110 YD.	1.6 MILS	TAN	36	60
31131101161	HP-100	72MM	100M	3"	110 YD.	1.6 MILS	CLEAR	24	60
31131102161	HP-100	72MM	100M	3"	110 YD.	1.6 MILS	TAN	24	60
31121101191	HP-200	48MM	100M	2"	110 YD.	1.9 MILS	CLEAR	36	60
31121102192	HP-200	48MM	100M	2"	110 YD.	1.9 MILS	TAN	36	60
31131101191	HP-200	72MM	100M	3"	110 YD.	1.9 MILS	CLEAR	24	60
31125513	HP-500	48MM	50M	2"	55 YD.	3 MILS	CLEAR	36	60

MACHINE APPLIED ROLLS

ITEM NO.	MFG. NO.	WIDTH	LENGTH	WIDTH	LENGTH	THICKNESS	COLOR	ROLLS PER CASE	CASES PER PALLET
314210001191	HP-200	48MM	914M	2"	1000 YD.	1.9 MILS	CLEAR	6	48
3153100013	HP-200	72MM	914M	3"	1000 YD.	1.9 MILS	CLEAR	4	48

CUSTOM PRINTED TAPES

WHY PRINTED TAPE?

For a few pennies more you can have the advantage of "PRINTED" water activated or pressure sensitive carton sealing tape.

PREVENT PILFERAGE

IDENTIFY PRODUCT

ADVERTISE

CREATE A NICER PACKAGE

Contact your Acorn Sales Representative at (800) 522 2676 to see how cost-effective printed tape can be.



NATURAL RUBBER ADHESIVE CARTON SEALING TAPES

WHY NATURAL RUBBER?

- Strong adherence to problem cartons. Natural rubber's broad adhesive profile offers a great deal of flexibility and is ideal for cartons with recycled paper content, heavy ink coverage and rough or ultra-smooth surfaces.
- Fast, positive bonding which reduces application time. Cartons never need to be resealed.
- Cold temperature application, even at freezing temperatures. Once applied, it will withstand sub-zero conditions of cold storage warehouses and winter shipments.
- Moisture resistance. Tapes will tolerate humid and damp packaging conditions.
- High shear adhesion for added security when sealing over-filled cartons due to its strong bonding properties.
- Firm unwind. Tapes are excellent for manual dispensers and carton sealing machine applications.



NATURAL RUBBER ADHESIVE HAND APPLIED ROLLS

ITEM NO.	WIDTH	LENGTH	WIDTH	LENGTH	COLOR	ROLLS PER CASE	CASES PER PALLET
312211012	48MM	100M	2"	110 YD.	CLEAR	36	45



NATURAL RUBBER ADHESIVE HAND APPLIED ROLLS



ITEM NO.	MFG. NO.	WIDTH	LENGTH	WIDTH	LENGTH	THICKNESS	COLOR	ROLLS PER CASE	CASES PER PALLET
3122110117	570	48MM	100M	2"	110 YD.	1.8 MILS	CLEAR	36	45
312311012	570	72MM	100M	3"	110 YD.	1.8 MILS	CLEAR	24	24
31225512	500	48MM	50M	2"	55 YD.	2.0 MILS	CLEAR	36	60
31225522	500	48MM	50M	2"	55 YD.	2.0 MILS	TAN	36	60
3112110131	500	48MM	100M	2"	110 YD.	2.0 MILS	CLEAR	36	45
312211022	500	48MM	100M	2"	110 YD.	2.0 MILS	TAN	36	45
312311012	500	72MM	50M	3"	55 YD.	2.0 MILS	CLEAR	24	60
313255121	530 (PVC)	48MM	50M	2"	55 YD.	2.2 MILS	CLEAR	36	60
313255221	530 (PVC)	48MM	50M	2"	55 YD.	2.2 MILS	TAN	36	60
312255125	510	48MM	50M	2"	55 YD.	2.3 MILS	CLEAR	36	60
3122110125	510	48MM	100M	2"	110 YD.	2.3 MILS	CLEAR	36	45
3122110225	510	48MM	100M	2"	110 YD.	2.3 MILS	TAN	36	45
31225511	520	48MM	50M	2"	55 YD.	2.8 MILS	CLEAR	36	45
312255221	580	48MM	50M	2"	55 YD.	2.9 MILS	CLEAR	96	50

Note: Machine applied rolls also available in Natural Rubber Adhesive.

CARTON SEALING TAPE DISPENSERS

PISTOL GRIP DISPENSERS

ITEM NO.	MFG NO.	DESCRIPTION
----------	---------	-------------

340103	SL103	2" HEAVY DUTY
--------	-------	---------------

- Reinforced Steel Frame
- High Impact Plastic
- Heat Treated Steel Blade
- Adjustable Tension Brake
- Versatile holds up to 220 Yds.
- Metal Loading Gate
- Plastic Tape Roller
- Roll Width: 2" (51 mm)



340209	SL209	2" WORK HORSE
--------	-------	---------------

- Reinforced Steel Frame
- High Impact Plastic
- Adjustable Tension Brake
- Plastic Loading Gate
- Natural Rubber Tape Roller
- Roll Width: 2" (51 mm)



340213	SL213	2" STANDARD
--------	-------	-------------

- High Impact Plastic
- Adjustable Tension Brake
- Plastic Tension Control Knob
- Plastic Roller
- Roll Width: 2" (51 mm)



3402132	SL213	2" STANDARD WITH ACORN PAPER LOGO
---------	-------	--------------------------------------

- High Impact Plastic
- Adjustable Tension Control Knob
- Plastic Tension Control Knob
- Metal Loading Gate
- Plastic Tape Roller
- Roll Width: 2" (51 mm)



PISTOL GRIP DISPENSERS CONTINUED

ITEM NO.	MFG NO.	DESCRIPTION
----------	---------	-------------

340239	SL239	2" WORK HORSE
--------	-------	---------------

- Reinforced Steel Frame
- High Impact Plastic
- Adjustable Tension Brake
- Steel Tension Control Knob
- Metal Loading Gate
- Natural Rubber Roller
- Roll Width: 2" (51 mm)



340306	SL306	3" UTILITY
--------	-------	------------

- Reinforced Steel Frame
- High Impact Plastic
- Adjustable Tension Brake
- Plastic Tension Control Brake
- Versatile Holds up to 220 Yds.
- Metal Loading Gate
- Plastic Tape Roller
- Roll Width: 3" (76 mm)



340339	SL339	3" HEAVY DUTY
--------	-------	---------------

- Reinforced Steel Frame
- High Impact Plastic
- Adjustable Tension Brake
- Steel Tension Control Knob
- Metal Loading Gate
- Natural Rubber Roller
- Roll Width: 3" (76 mm)



3404014	SL403	4" UTILITY
---------	-------	------------

- Reinforced Steel Frame
- High Impact Plastic
- Adjustable Tension Brake
- Plastic Tension Control Knob
- Metal Loading Gate
- Plastic Roller
- Roll Width: 4" (101 mm)



3408	BROGUN	TAPE GUN BELT WITH POUCH
------	--------	-----------------------------



Please see Industrial and Specialty Tape Dispensers for additional General Purpose Dispensers.

This is a partial listing of Pressure Sensitive Carton Sealing tape dispensers. Please contact your Acorn Paper representative for other dispensers not listed. All Core Diameter 3" (76 mm)

TAPES



PRESSURE SENSITIVE CARTON SEALERS

BESTPACK

WORLD LEADERS IN SOPHISTICATED PACKAGING SYSTEMS

SEMI-AUTOMATIC UNIFORM CARTON SEALERS

The BestPack MQ, MSD and MSL Series Semi Automatic Uniform Tape Carton Sealers are designed to meet your light to heavyweight carton closure applications. All systems incorporate our exclusive pop-out "High-Speed" pressure sensitive tape heads with the patented tab adjustment, and an extra 4" height extension on the upper assembly.

- Exclusive Pop-Out Pressure-Sensitive "High-Speed" Tape Head with Patented Tab Adjustment and Noise Reduction Arm
- Telescopic Mast Design on MSD Series
- Adjustable Bed Height
- Uniform Applications
- Rugged Construction
- Cost Effective



SEMI-AUTOMATIC RANDOM CARTON SEALERS

The BestPack RS, RSL and RQ Series Semi-Automatic Random Tape Carton Sealers are built for speed and rugged dependability. With these systems, random sized cartons are handled with ease whether your application is for a low profile top and bottom tape sealer or a heavy duty work horse.

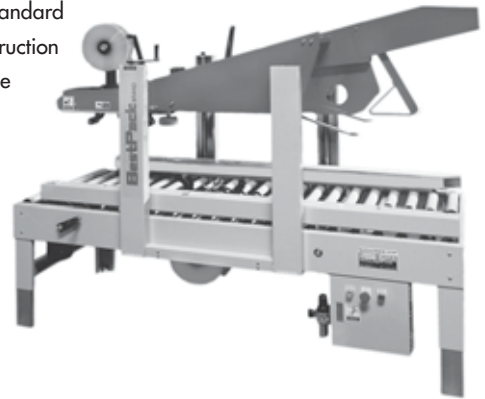
- Exclusive Pop-Out Pressure Sensitive Tape Head with patented Tab Adjustment and Noise Reduction Arm
- Adjustable Bed Height
- Random Carton Sizes
- Rugged Construction
- Cost Effective



FULLY AUTOMATIC UNIFORM CARTON SEALERS

The BestPack AQ and AS Series Fully Automatic Uniform Tape Carton Sealers are designed to meet all your carton sealing needs, operator free. All of these systems are built solid and compatible with the optional ARX Indexer

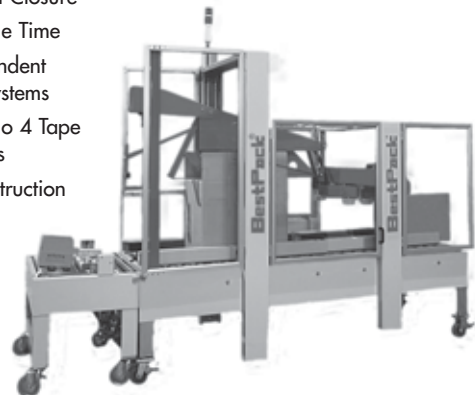
- Exclusive Pop-Out Pressure-Sensitive "High-Speed" Tape Head with Patented Tab Adjustment and Noise Reduction Arm
- Adjustable Bed Height
- Flap Closer Standard
- Rugged Construction
- Operation Free



FULLY AUTOMATIC RANDOM CARTON SEALER

The CS Series Random Carton Sealers advanced engineering provides the highest speed out-put available and they are built for rugged dependability. These sealers are designed to meet all your carton sealing applications. All models are equipped with our exclusive Pressure Sensitive Tape Heads with patented Tab Adjustment Units. High Tech features such as built in "Soft Fill" Sensors and maintenance free oil-less air cylinders set these Random Carton Sealers apart.

- Fully Automatic
- Touch Screen Self Diagnostic PLC
- In-line Carton Closure
- Reduced Cycle Time
- Three Independent Operating Systems
- Continuous Flo 4 Tape Head Systems
- Rugged Construction
- Cost Effective



CARTON SEALING TAPES- WATER ACTIVATED

All purpose sealing tape made from a single piece of kraft paper coated with a flexible layer of water-soluable adhesive. Strong, tough and very economical to use. Ideal for Six Strip Sealing to insure against entry of dirt, dust and insects. Available in standard GSI (gummed side

in) or GSO (gummed side out) in natural kraft and several colors. Can be custom Imprinted with advertising message. Stock prints available include: "Thank You", "Fragile", "Caution", (Anti-Theft Tape).



The 6-Strip Sealing Method is often used with Water Activated, Non-Reinforced Tape.



1. Apply first strip to far flap, then close flaps and seal center seam.



2. Press down overlap on ends (2-1/2" overlap on each end)



3. Seal edge seams with 3" overlap beyond corners.



4. Bend around sides and pull tightly into position.



5. Fold corners over the top and press firmly, then fold and press top.



6. Repeat 3, 4 and 5 on the other end of box

NON-REINFORCED PAPER TAPE

INTERTAPE

ITEM NO.	MFG. NO.	GRADE	WIDTH	LENGTH	COLOR	GUMSIDE	ROLLS PER CASE	CASES PER PALLET
300355001	CONVOY	LIGHT DUTY	1"	500'	NATURAL	GSO	30	45
300355003	CONVOY	LIGHT DUTY	1.5"	500'	NATURAL	GSO	20	45
300606001	CONVOY	MEDIUM DUTY	2"	600'	NATURAL	GSI	15	60
300260600	CONVOY	MEDIUM DUTY	2.5"	600'	NATURAL	GSI	12	60
300360600	160	MEDIUM DUTY	3"	600'	NATURAL	GSI	12	60
3003606001	CONVOY	MEDIUM DUTY	3"	600'	#3 WHITE	GSI	10	60
300366002	CONVOY	"FRAGILE"	3"	600'	NATURAL	GSI	10	60





REINFORCED (N/A) WATER ACTIVATED TAPE



Two-strip sealing with 3-way reinforced tape provides the fastest and most secure way to close boxes and protect the contents. Made from 2 plies of tough Kraft laminated and reinforced with fiberglass strands in a 3-way pattern.

while providing additional security against pilferage.

Available in non-staining **Non-Asphaltic (NA-3)**

Custom printed tape is available as an inexpensive alternative to printed boxes

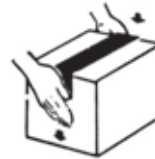
The 2-Strip Sealing Method is often used with Reinforced, Water Activated Tape.



1. Apply one strip of tape to far flap (2-1/2" overlap on each end)



2. Close flaps and seal center seam.



3. Fold down and press overlaps on each end.

INTERTAPE

ITEM NO.	MFG. NO.	GRADE	WIDTH	LENGTH	COLOR	ROLLS PER CASE	CASES PER PALLET
30170375	LEGEND	ECONOMY	70 MM	375'	NATURAL	8	75
30170450	LEGEND	ECONOMY	70 MM	450'	NATURAL	10	60
301704501	LEGEND	ECONOMY	70 MM	450'	#3 WHITE	10	60
3013450	MEDALLION	UTILITY	3"	450'	NATURAL	10	60
30134501	CLASSIC	ECONOMY / UTILITY	3"	450'	NATURAL	10	60
30124501	CARTON MASTER	PREMIUM	2"	450'	NATURAL	15	60
3013375	CARTON MASTER	PREMIUM	3"	375'	NATURAL	8	75
30134502	CARTON MASTER	PREMIUM	3"	450'	NATURAL	10	60
30134503	CARTON MASTER	PREMIUM	3"	450'	#3 WHITE	10	60

INTERTAPE - CENTRAL PRODUCTS

ITEM NO.	MFG. NO.	GRADE	WIDTH	LENGTH	COLOR	ROLLS PER CASE	CASES PER PALLET
3012356064	235 PACKER PRIDE	UTILITY	3"	450'	SNOW WHITE	10	60
30134506	235 PACKER PRIDE	UTILITY	3"	450'	NATURAL	10	60
30134507	240	UTILITY	72 MM	450'	NATURAL	10	60
30134508	255 FASTAC	PREMIUM	3"	450'	NATURAL	10	60
30134504	260	PREMIUM	3"	450'	"FRAGILE" PRINT	10	60
30134505	260	PREMIUM	3"	450'	"WARNING" PRINT	10	60

WATER ACTIVATED TAPE MACHINES

BETTER PACKAGES MANUAL AND AUTOMATIC TAPE SHOOTERS

BETTER PACK "333"



- Dispense up to 30" of tape in one stroke
- Simple tape length settings
- Two water brushes for uniform wetting
- Guillotine sheer blades for clean cutting
- Rugged steel side-frame construction
- Large water reservoir
- Handles both reinforced and paper tape 1" to 3"
- Mechanically superior design
- Easy to move
- Economically priced

BETTER PACK "150"



- Dispense up to 39" of tape in one stroke
- Simple tape length settings
- Two water brushes for uniform wetting
- Guillotine sheer blades for clean cutting
- Ultra rugged all steel construction
- Large water reservoir
- Handles both reinforced and paper tapes 1 1/2" to 4" wide

BETTER PACK "777e" "HEAVY DUTY, PRESET MULTI LENGTH, ELECTRONIC TAPE DISPENSER"



- Color coded, soft touch push button operation
- Dispenses tape from 6" to 75"
- Random choice of infinite lengths
- Two water brushes for uniform wetting
- Top heater standard
- Heavy duty dual shear cutting blades
- Rugged steel construction
- Large Enclosed water reservoir
- Handles both reinforced and paper tape
- 1" to 4" wide
- Modern Styling

BETTER PACK "555e" "THE WORLD'S LEADING CARTON SEALING SYSTEM"



- Top loading
- Handles 1 1/2" to 3" reinforced or paper tape
- Up to 1000" rolls
- Color coded user-friendly keypad
- Programmable keys
- Random length key
- Automatic Measuring Device (option)
- Code Taper (option)
- TA-2000 Tape Aerial (option)
- Foot Pedals, hands free operation (option)
- Large Tape Capacity

TAPES

INDUSTRIAL AND SPECIALITY TAPES

STRAPPING / FILAMENT TAPES



Intertape fiberglass reinforced Filament Tapes deliver superior adhesion and exceptional strength for a variety of light to medium load applications. Call your ACORN representative with any questions regarding the use of these fine tapes.



UTILITY GRADE

Non-critical light duty packaging and strapping. Bi-Axially oriented polypropylene backed.

ITEM NO.	MFG. NO.	WIDTH	LENGTH	ROLLS PER CASE	CASES PER PALLET
325300375	RG-300	3/8"	60 YD.	96	64
32530050	RG-300	1/2"	60 YD.	72	64
32530075	RG-300	3/4"	60 YD.	48	64
3253001	RG-300	1"	60 YD.	36	64
325300150	RG-300	1-1/2"	60 YD.	24	48
3253002	RG-300	2"	60 YD.	24	48
3253003	RG-300	3"	60 YD.	16	48

GENERAL GRADE

Medium duty applications. Moderate tensile strength, Bi-Axially oriented polypropylene backed. Unidirectional fiberglass filaments.

ITEM NO.	MFG. NO.	WIDTH	LENGTH	ROLLS PER CASE	CASES PER PALLET
325303375	RG-303	3/8"	60 YD.	96	64
32530350	RG-303	1/2"	60 YD.	72	64
32530375	RG-303	3/4"	60 YD.	48	64
3253031	RG-303	1"	60 YD.	36	64
325303150	RG-303	1-1/2"	60 YD.	24	48
3253032	RG-303	2"	60 YD.	24	48
3253033	RG-303	3"	60 YD.	16	48

Medium duty applications. Moderate tensile strength, Polyester backing with uni-directional fiberglass filaments. Resists moisture and chemical degradation.

ITEM NO.	MFG. NO.	WIDTH	LENGTH	ROLLS PER CASE	CASES PER PALLET
325300375	RG-3	3/8"	60 YD.	96	64
32500350	RG-3	1/2"	60 YD.	72	64
325003675	RG-3	5/8"	60 YD.	56	64
32500375	RG-3	3/4"	60 YD.	48	64
3250031	RG-3	1"	60 YD.	36	64
325003150	RG-3	1-1/2"	60 YD.	24	64
3250032	RG-3	2"	60 YD.	24	48
3250033	RG-3	3"	60 YD.	16	48
3250034	RG-3	4"	60 YD.	12	48

MEDIUM GRADE

Medium tensile, general purpose for medium load applications, such as strapping, unitizing and packaging. Strong polyester film backing with uni-directional fiberglass filaments. Resists moisture and chemical degradation.

ITEM NO.	MFG. NO.	WIDTH	LENGTH	ROLLS PER CASE	CASES PER PALLET
325015375	RG-15	3/8"	60 YD.	96	64
32501550	RG-15	1/2"	60 YD.	72	64
32501575	RG-15	3/4"	60 YD.	48	64
3250151	RG-15	1"	60 YD.	36	64
325015150	RG-15	1-1/2"	60 YD.	24	64
3250152	RG-15	2"	60 YD.	24	48

TAPES

INDUSTRIAL AND SPECIALITY TAPES

STRAPPING / FILAMENT TAPES

Shurtape®



Shurtape offers the finest selection of fiberglass reinforced polypropylene strapping tapes available. Using the best materials available, the Shurtape product line gives the user the security of knowing that product being secured will get to the customer intact.

ECONOMY GRADE

Fiberglass reinforced, polypropylene film; hot melt, rubber based adhesive. Light duty closing, strapping, packaging, bundling, unitizing and palletizing.

ITEM NO.	MFG. NO.	COLOR	WIDTH	LENGTH	ROLLS PER CASE	CASES PER PALLET
325490375	GS-490	WHITE	3/8"	60 YD.	96	64
32549050	GS-490	WHITE	1/2"	60 YD.	72	64
32549075	GS-490	WHITE	3/4"	60 YD.	48	64
3254901	GS-490	WHITE	1"	60 YD.	36	64
3254902	GS-490	WHITE	2"	60 YD.	24	64

UTILITY GRADE

Fiberglass reinforced, polypropylene film; hot melt rubber based adhesive. Non critical closing, strapping, packaging, bundling, unitizing and palletizing.

ITEM NO.	MFG. NO.	COLOR	WIDTH	LENGTH	ROLLS PER CASE	CASES PER PALLET
325500375	GS-500	WHITE	3/8"	60 YD.	96	64
32550050	GS-500	WHITE	1/2"	60 YD.	72	64
32550075	GS-500	WHITE	3/4"	60 YD.	48	64
32550001	GS-500	WHITE	1"	60 YD.	36	64
3255001	GS-500	WHITE	2"	60 YD.	24	64

INDUSTRIAL GRADE

Fiberglass reinforced, polypropylene film; hot melt rubber based adhesive. Medium duty closing, strapping, packaging, bundling, unitizing and palletizing.(replaces GS-511)

ITEM NO.	MFG. NO.	COLOR	WIDTH	LENGTH	ROLLS PER CASE	CASES PER PALLET
325501375	GS-501	WHITE	3/8"	60 YD.	96	64
32550150	GS-501	WHITE	1/2"	60 YD.	72	64
32550175	GS-501	WHITE	3/4"	60 YD.	48	64
325501	GS-501	WHITE	1"	60 YD.	36	64
3255012	GS-501	WHITE	2"	60 YD.	24	64

HIGH PERFORMANCE GRADE

Fiberglass reinforce polypropylene; hot melt rubber based adhesive. High tensile strength for maximum security, heavy duty closing, strapping, packaging, bundling, unitizing and palletizing.

ITEM NO.	MFG. NO.	COLOR	WIDTH	LENGTH	ROLLS PER CASE	CASES PER PALLET
325521375	GS-521	WHITE	3/8"	60 YD.	96	64
32552150	GS-521	WHITE	1/2"	60 YD.	72	64
32552175	GS-521	WHITE	3/4"	60 YD.	48	64
3255211	GS-521	WHITE	1"	60 YD.	36	64
3255212	GS-521	WHITE	2"	60 YD.	24	64

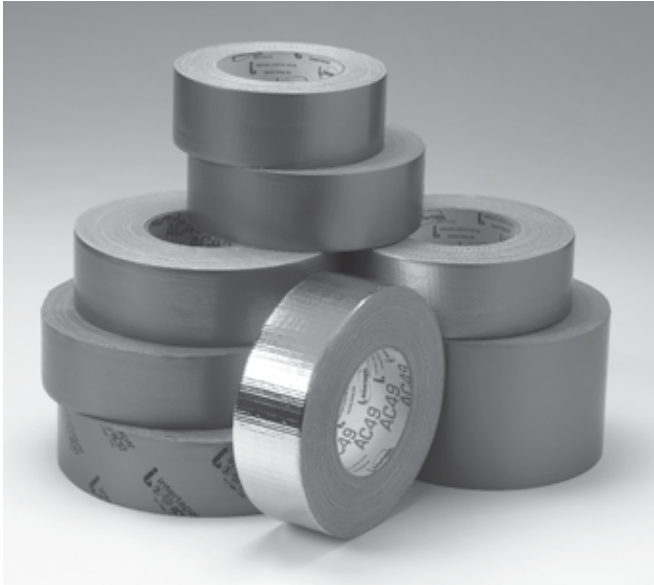
TESA

2.7 MIL NOPI STRAPPING TAPE

ITEM NO.	MFG. NO.	COLOR	WIDTH	LENGTH	ROLLS PER CASE	CASES PER PALLET
3254090375	4090	BLACK	3/8"	60 YD.	192	72
325409050	4090	BLACK	1/2"	60 YD.	144	75
325409075	4090	BLACK	3/4"	60 YD.	96	75
3254090751	4090	WHITE	3/4"	60 YD.	96	75

TAPES

DUCT AND CLOTH TAPE



AC-15 UTILITY GRADE • CLOTH TAPE

Constructed of 100% Dacron Polyester Cloth, high density film and aggressive natural rubber adhesive, AC-15 provides the user with a high quality light utility product, delivering consistent tensile characteristic and tear in both machine and cross direction creating excellent conformability to irregular surfaces.

ITEM NO.	WIDTH	LENGTH	ROLLS PER CASE	CASES PER PALLET
328031101	2"	60 YD.	24	27

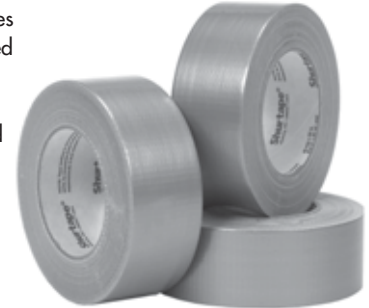
AC-36 MEDIUM GRADE • CLOTH TAPE

A heavier, higher performing grade that is used by contractors for general wrapping, securing, protection and miscellaneous jobs on any work site. Available in silver, black and red, and can be printed. Moisture and water resistant.

ITEM NO.	WIDTH	LENGTH	ROLLS PER CASE	CASES PER PALLET
32803601	1"	60 YD.	48	27
328036150	1-1/2"	60 YD.	24	27
32803602	2"	60 YD.	24	27
32803603	3"	60 YD.	16	27



All Shurtape Polycoated Tapes have a waterproof polycoated backing and natural rubber adhesive. These tapes are excellent for both critical and non-critical applications.



PC595 SILVER

Economy Grade excellent for non-critical, general purpose packaging, bundling, sealing,

WIDTH	LENGTH	ROLLS PER CASE	CASES PER PALLET
2"	60 YD.	24	48

PC600 14 COLORS

Easy tear, General Purpose Grade, to pack-patch, seal, hold, color code, splice, seam, protect, bundle; HVAC, plumbing, carpet and asbestos applications.

WIDTH	LENGTH	ROLLS PER CASE	CASES PER PALLET
2"	60 YD.	24	48
3"	60 YD.	16	48

PC618 14 COLORS

Light Industrial Grade; poly/cotton cloth; indoor/outdoor use for sheet metal and flex duct. Wide application in the shipping industry.

WIDTH	LENGTH	ROLLS PER CASE	CASES PER PALLET
1-1/2"	60 YD.	24	48
2"	60 YD.	24	48
3"	60 YD.	16	48

PC625 5 COLORS

Lusterless, Premium Grade Gaffers Tape, indoor/outdoor tape, high holding power.

WIDTH	LENGTH	ROLLS PER CASE	CASES PER PALLET
2"	60 YD.	24	48
3"	60 YD.	16	48

TAPES

LABEL PROTECTION TAPE



ITEM NO.	DESCRIPTION	WIDTH	LENGTH	ROLLS PER CASE	CASES PER PALLET
3204721	ACRYLIC LABEL PROTECTION TAPE	4"	66M	18	108
3205721	ACRYLIC LABEL PROTECTION TAPE	5"	66M	12	108
320672	ACRYLIC LABEL PROTECTION TAPE	6"	66M	12	108

SPECIALTY TAPES



Contact your ACORN Representative to help you determine what SPECIALTY TAPES are available to help you with your carton sealing, packaging, seaming, wrapping, holding, bundling, and splicing needs.

VINYL ELECTRICAL

MFG. NO. 619 8 mil. PVC, balck vinyl, all-weather, flame retardant, UL listed.
 MFG. NO. 6180 7 mils, black vinyl, electrical insulating, UL listed.



FLAGGING/BARRICADE

MFG. NO. 6880 Flagging ribbon, narrow width, bright Day-Glo colors.
 MFG. NO. 6890 Barricade ribbon, bright yellow w/black lettering, stock prints.



SPECIALTY TAPES CONTINUED

Shurtape®

SPECIALTY CLOTH

MFG. NO. PC667
 14 day UV resistant cloth for non painted surfaces



MFG. NO. PC721

Waterproof, polyethylene film with polyester/cotton blend cloth with natural rubber adhesive for the silk screen industry.



FLAME RETARDANT CLOTH

MFG. NO. PC21F
 Poly coated, waterproof backing for the airline industry for sealing cargo compartment liners.



SOFT VINYL FILM

MFG. NO. VP410
 Floor and Aisle marking, silk screen protection, outdoor and waterproof wrapping application



HEAVY DUTY CLOTH (BLACK)

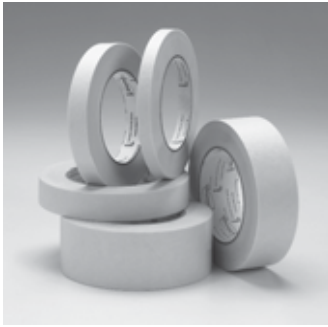
MFG. NO. PC658
 Sandblasting masking, protection of Metal and Plastic parts, bottom board seaming



TAPES



MASKING TAPE



Intertape Masking Tape is designed for economy and performance in a variety of applications including masking, holding, light duty, splicing, bundling and packaging. Intertape has the ideal solution to your most demanding situations.

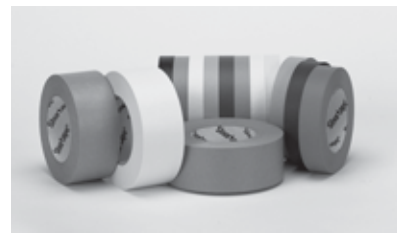
ITEM NO.	MFG. NO.	DESCRIPTION	WIDTH	LENGTH	ROLLS PER CASE	CASES PER PALLET
3260055	PG-5	Smooth texture, solvent natural rubber adhesive, painters tape.	1/2"	60 YD.	72	64
32600575	PG-5		3/4"	60 YD.	48	64
3260051	PG-5		1"	60 YD.	36	64
32600515	PG-5		1-1/2"	60 YD.	24	64
3260052	PG-5		2"	60 YD.	24	48
32641550	PG-415	Utility grade, general purpose using a heavy crepe backing combined with an aggressive state of the art natural rubber synthetic blend adhesive. Use most non-critical masking tasks-sealing, drafting, tabbing, etc.	1/2"	60 YD.	72	64
32641575	PG-415		3/4"	60 YD.	48	64
3264151	PG-415		1"	60 YD.	36	64
326415150	PG-415		1-1/2"	60 YD.	24	64
3264152	PG-415		2"	60 YD.	24	64
3264153	PG-415		3"	60 YD.	16	64
3264154	PG-415		4"	60 YD.	12	64
32650075	PG-500	Non-critical, general room temperature applications.	3/4"	60 YD.	48	64
3265001	PG-500		1"	60 YD.	36	64
32650550	PG-505	Designed for paint contractors, having a smooth surface with a natural rubber, solvent adhesive systems that has easy, trackless removable characteristics.	1/2"	60 YD.	72	64
32650575	PG-505		3/4"	60 YD.	48	64
3265051	PG-505		1"	60 YD.	36	64
32650515	PG-505		1-1/2"	60 YD.	24	64
3265052	PG-505		2"	60 YD.	24	48
3265053	PG-505		3"	60 YD.	16	48
3265054	PG-505		4"	60 YD.	12	48
32651112	PG-511	Thin, saturated crepe with natural rubber adhesive. Indoor use. Excellent for clean paint lines. Tears easily and cleanly.	1/2"	60 YD.	72	64
32651118	PG-511		3/4"	60 YD.	48	64
32651124	PG-511		1"	60 YD.	36	64
32651148	PG-511		2"	60 YD.	24	64

ITEM NO.	MFG. NO.	DESCRIPTION	COLOR	WIDTHS	LENGTH
	PT14	Blue, fine structured crepe backed painter's tape. Provides very clean paint lines and removes cleanly and easily even when exposed to direct sunlight and high humidity levels for up to 14 days. The "Do it Yourself" painter's tape.	BLUE	3/4", 1", 1-1/2", 2"	60 YD.

MASKING TAPE CONTINUED

Shurtape®

Shurtape Technologies is committed to manufacturing and selling the highest quality pressure sensitive adhesive tapes available. The CP line of General Purpose Crepe Paper Tapes exceeds specifications for quality and performance.



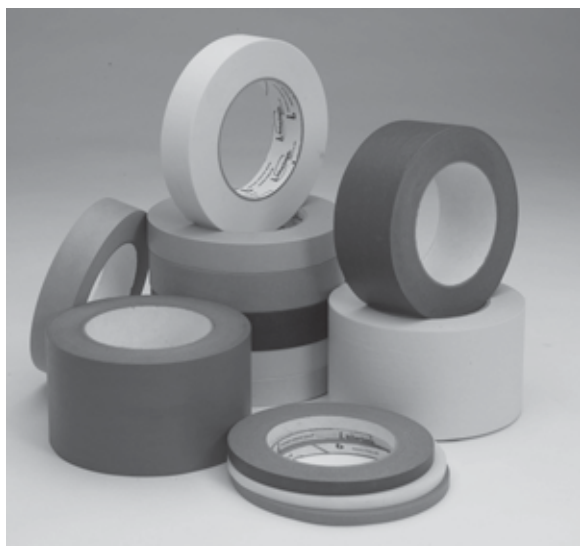
TAPES

ITEM NO.	MFG. NO.	DESCRIPTION	WIDTHS	LENGTH	ROLLS PER CASE	CASES PER PALLET
32608325	CP-83	Utility Grade, moderately high tack, rubber based adhesive, having good adhesion for packaging, bundling, holding, splicing, tabbing, and banding of various substrates.	1/4"	60 YD.	144	64
32608338	CP-83		3/8"	60 YD.	96	64
32608350	CP-83		1/2"	60 YD.	72	64
32608375	CP-83		3/4"	60 YD.	48	64
3260831	CP-83		1"	60 YD.	36	64
32608315	CP-83		1-1/2"	60 YD.	24	64
3260832	CP-83		2"	60 YD.	24	48
3260833	CP-83		3"	60 YD.	16	48
3260836	CP-83	2"	600 YD.	6		
32610150	CP-101	Economy Grade, moderate tack, rubber-based adhesive for general purpose packaging, bundling, holding, splicing, masking and labeling for home, school and industry.	1/2"	60 YD.	72	64
32610175	CP-101		3/4"	60 YD.	48	64
3261011	CP-101		1"	60 YD.	36	64
326101150	CP-101		1-1/2"	60 YD.	24	64
3261012	CP-101		2"	60 YD.	24	48
3261013	CP-101		3"	60 YD.	16	48

CP-632 Economy grade, medium tack, rubber based adhesive, colored tape, for general purpose packaging, bundling, holding, binding, splicing, labeling, color coding, banding, decorating, identification of various substrates. Available in the following colors and sizes:

COLOR	WIDTHS	LENGTH
BLACK	1/4", 3/8", 1/2", 3/4", 1"	60 YD.
BLUE	1/4", 3/8", 1/2", 3/4", 1"	60 YD.
LT. BLUE	1/4", 3/8", 1/2", 3/4", 1"	60 YD.
GRAY	1/4", 3/8", 1/2", 3/4", 1"	60 YD.
GREEN	1/4", 3/8", 1/2", 3/4", 1"	60 YD.
LT. GREEN	1/4", 3/8", 1/2", 3/4", 1"	60 YD.
ORANGE	1/4", 3/8", 1/2", 3/4", 1"	60 YD.
PURPLE	1/4", 3/8", 1/2", 3/4", 1"	60 YD.
RED	1/4", 3/8", 1/2", 3/4", 1"	60 YD.
WHITE	1/4", 3/8", 1/2", 3/4", 1"	60 YD.
YELLOW	1/4", 3/8", 1/2", 3/4", 1"	60 YD.
PINK	1/4", 3/8", 1/2", 3/4", 1"	60 YD.

PRINTABLE CREPE PAPER AND FLATBACK TAPE

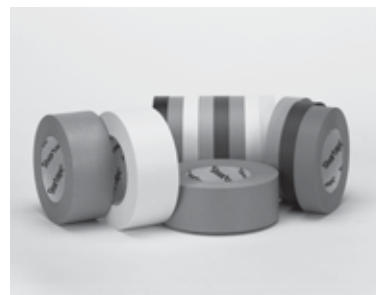


Both printable and plain crepe paper and flatback tapes are suitable for general purpose packaging; carton sealing, bundling, binding, splicing, labeling, color coding, banding, decorating and identification of various items and substrates.

PRINTABLE FLATBACK PACKAGING TAPE

MFG. NO.	DESCRIPTION	WIDTHS	LENGTH
PF-2	Colored/ID, available in (7) colors. Printable with flexographic inks.	1/4", 3/8", 1/2", 3/4"	60 YD.
		1", 1-1/2", 2"	60 YD.
		2-1/2", 3", 4"	60 YD.
PM-2	Medium grade, versatile performer with a unique tan color, use for packaging	1/2", 3/4", 1-1/2"	60 YD.
		2", 3", 4"	60 YD.
			120 YD.
PM-308	General Grade brown paper tape designed for carton sealing, yet still hand tearable.	1", 1-1/2", 2", 3"	60 YD. 120 YD.

Shurtape®



MFG. NO.	DESCRIPTION	WIDTHS	LENGTH
FP-227	Economy Grade flatback paper backing, moderate tack, rubber based adhesive for general use. Available in (8) colors.	1", 2", 3"	60 YD.
FP-97	Premium Grade flatback paper backing, moderate tack, rubber based adhesive for general use. Available in (7) colors.	1", 2", 3"	60 YD.
CP-64	Premium Grade crepe paper backing, moderately high tack, rubber based adhesive. Available in (12) colors.	1", 2", 3"	60 YD.



TAPES

CREPE PAPER MASKING TAPES

Shurtape®

Industrial Crepe Paper Masking Tapes for use by the professional painter, from non-critical construction painting to industrial and automotive applications. A variety of tapes are offered which provides the professional the right selection to assure the finest results.

INDUSTRIAL CREPE PAPER

MFG. NO.	DESCRIPTION	WIDTHS	LENGTH
CP-66	Contractor/Professional Grade, moderate tack, rubber based Industrial masking, packaging and holding.	1/2" TO 3"	60 YD.
CP-99/ COLONIAL	Premium Grade, moderately high tack, rubber based adhesive, for masking wood and metal. Has no primer flake-off or paint build-up feature. Strips clean hot or cold.	1/2" TO 3"	60 YD.
CP-723	High performance Industrial Grade, medium temperature, rubber based adhesive, for high tech industrial paint masking on metal, plastic, vinyl, and rubber which strips off clean after oven baking and extended application periods.	1/2" TO 3"	60 YD.
CP-107	Industrial Grade, rubber based adhesive for non-critical construction and painting applications, bundling, splicing, tabbing, holding and packaging.	1/2" TO 3"	60 YD.

CELLO TAPE

Shurtape®

Static free cellulose based tape used for bundling and holding applications in Clean Room environment. Used for sealing cake and pie boxes, also used for gift packaging.

ITEM NO.	MFG. NO.	WIDTHS	LENGTH	ROLLS PER CASE
3271090572	CT-109	1/2"	66M	96
3271097572	CT-109	3/4"	66M	64
3271090172	CT-109	1"	66M	48

DOUBLE COATED / DOUBLE SIDED TAPE

Shurtape®

Application: Mounting, holding, splicing tabbing and fastening when an aggressive adhesive is needed.

ITEM NO.	MFG. NO.	DESCRIPTION	WIDTHS	LENGTH	ROLLS PER CASE
3300651	DF65	General purpose, double-faced flat paper tape.	1"	36 YDS	36
3300652	DF65	General purpose, double-faced flat paper tape.	2"	36 YDS	24
3306332	DF633	General purpose, double faced, tissue paper tape.	2"	55 YDS	18



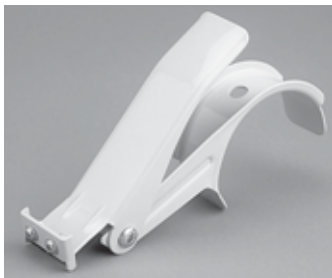
Double coated vinyl film with natural rubber adhesive.

ITEM NO.	MFG. NO.	WIDTHS	LENGTH	ROLLS PER CASE
3305971	597	1"	36 YDS	36
3305972	597	2"	36 YDS	24

TAPES

INDUSTRIAL AND SPECIALTY TAPE DISPENSERS

FILAMENT TAPE DISPENSERS



ITEM NO.	MFG. NO.	DESCRIPTION
340101	SL101	1" FILAMENT TAPE DISPENSER - METAL



ITEM NO.	MFG. NO.	DESCRIPTION
340123	SL125	1" FILAMENT TAPE DISPENSER - PLASTIC



ITEM NO.	MFG. NO.	DESCRIPTION
340210	SL210	2" FILAMENT TAPE DISPENSER - METAL/GENERAL PURPOSE



ITEM NO.	MFG. NO.	DESCRIPTION
340224	SL224	2" FILAMENT TAPE DISPENSER - PLASTIC/GENERAL PURPOSE

LABEL PROTECTION TAPE DISPENSERS



ITEM NO.	MFG. NO.	DESCRIPTION
340400	SL400	4" LABEL PROTECTION / POUCH TAPE DISPENSER - PLASTIC

CELLO TAPE DISPENSERS



ITEM NO.	MFG. NO.	DESCRIPTION
340135	SL135	BLACK CELLO TAPE DISPENSER - FITS UP TO 1" WIDE TAPES

This is a partial listing of Industrial and Specialty Tape dispensers.

Please contact your Acorn Paper representative for other dispensers not listed.